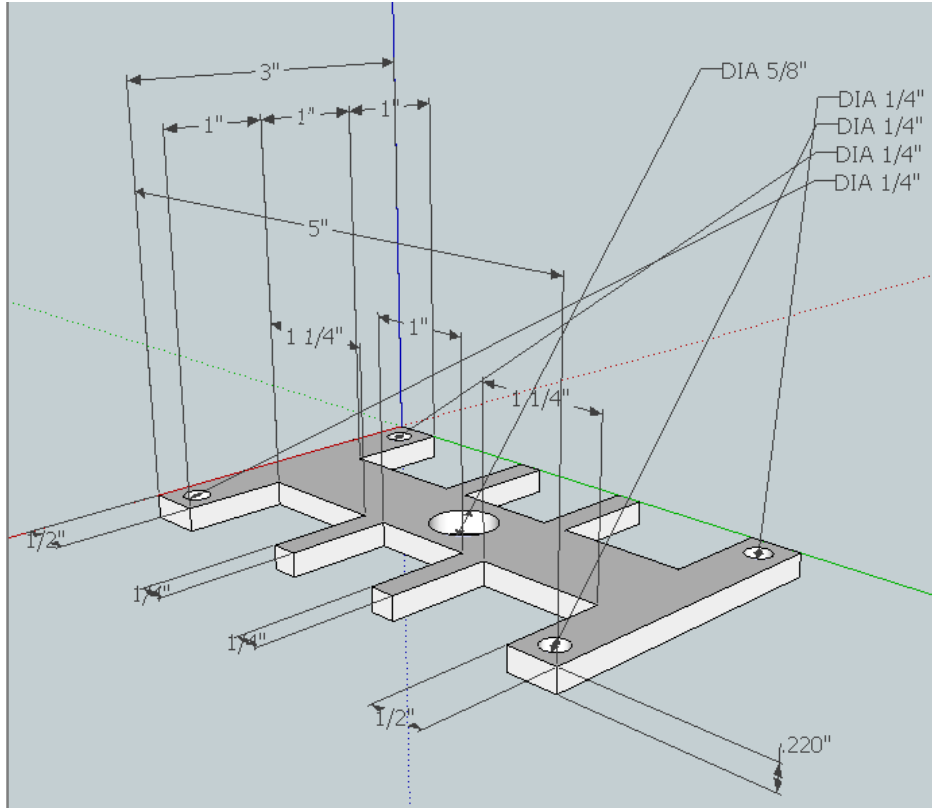
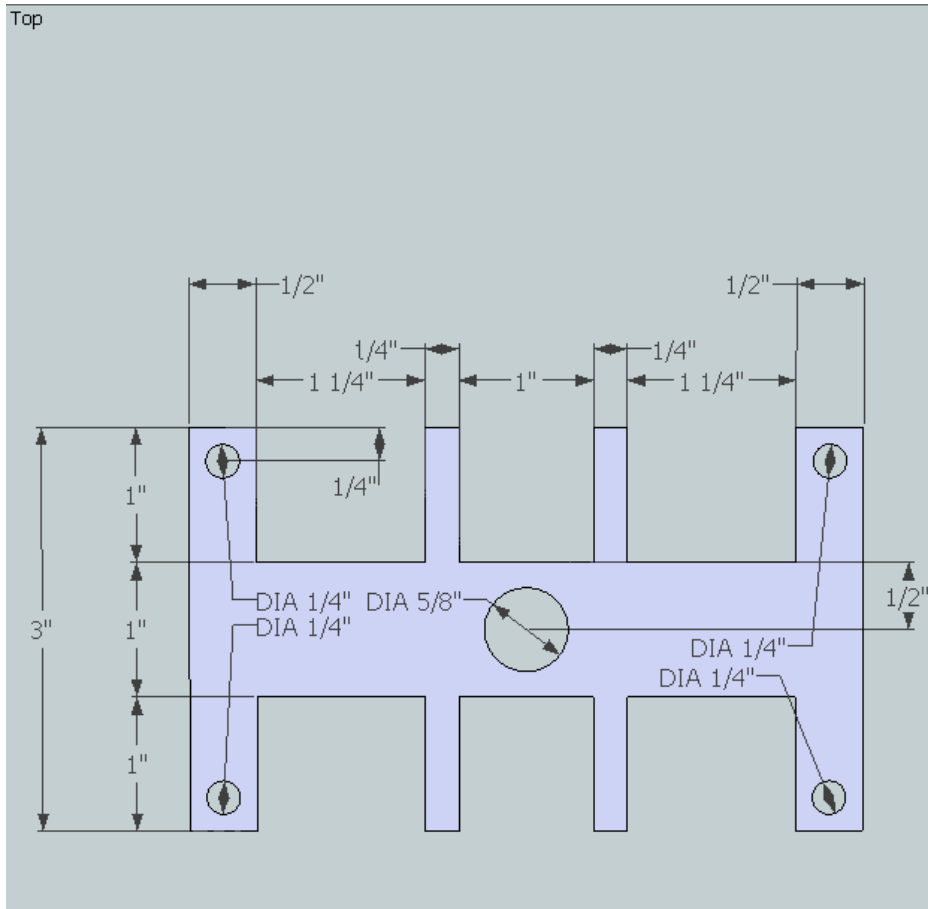


Generator Face Schematic
Isometric

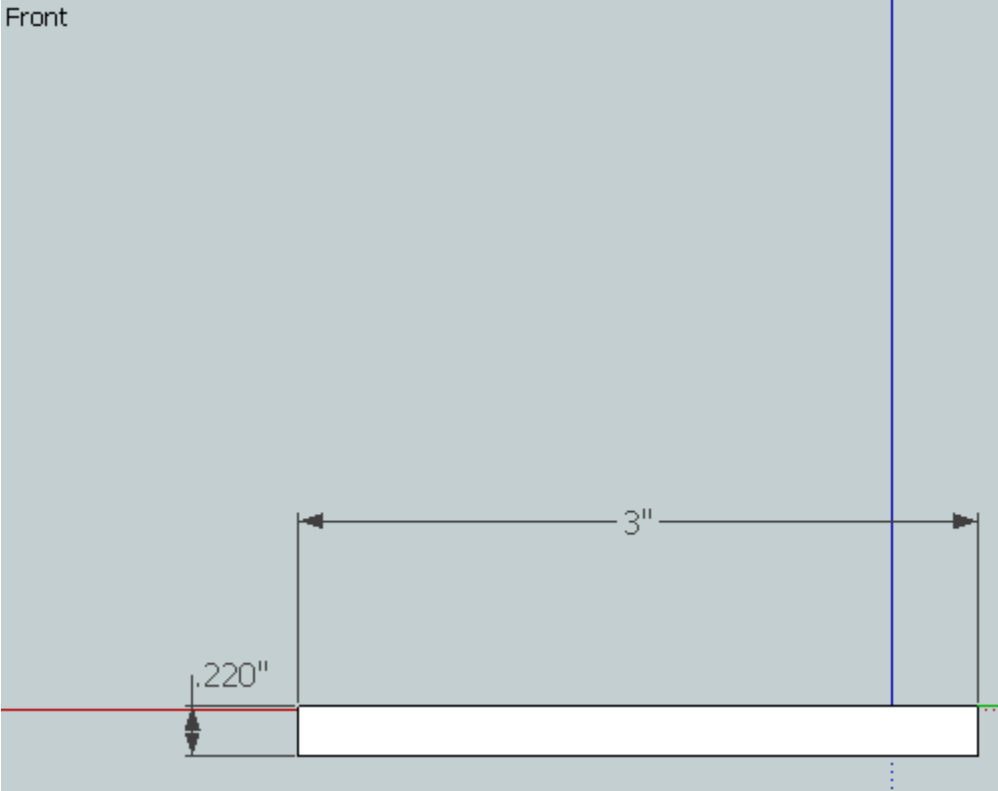


Top

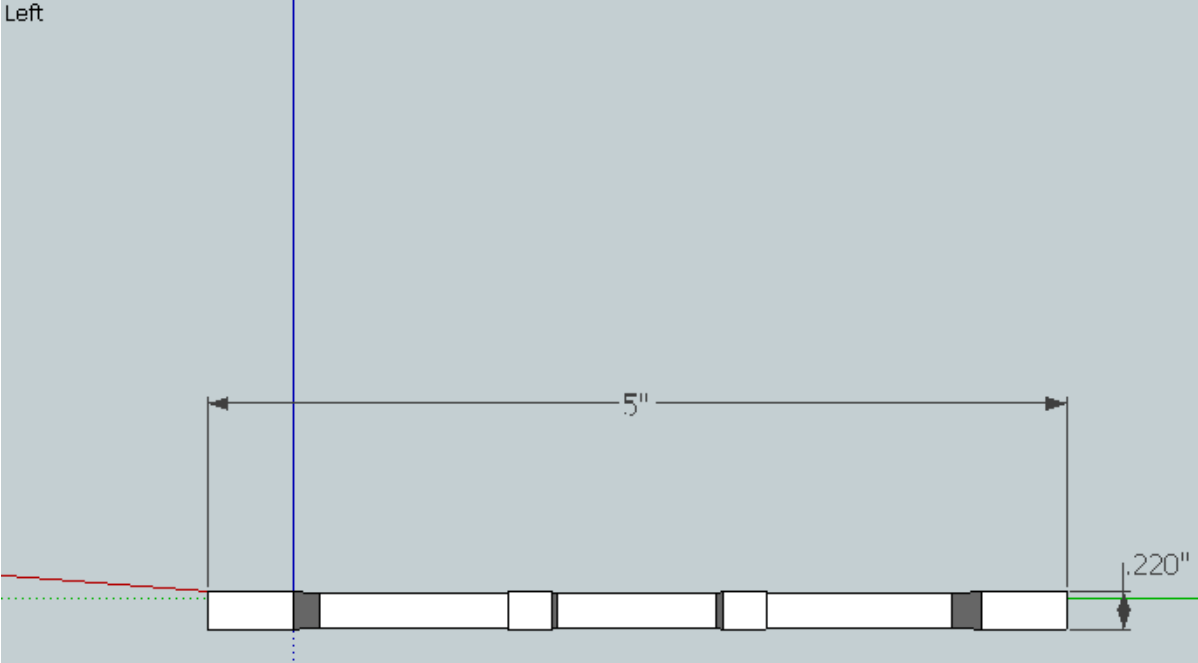


Left/Right Side

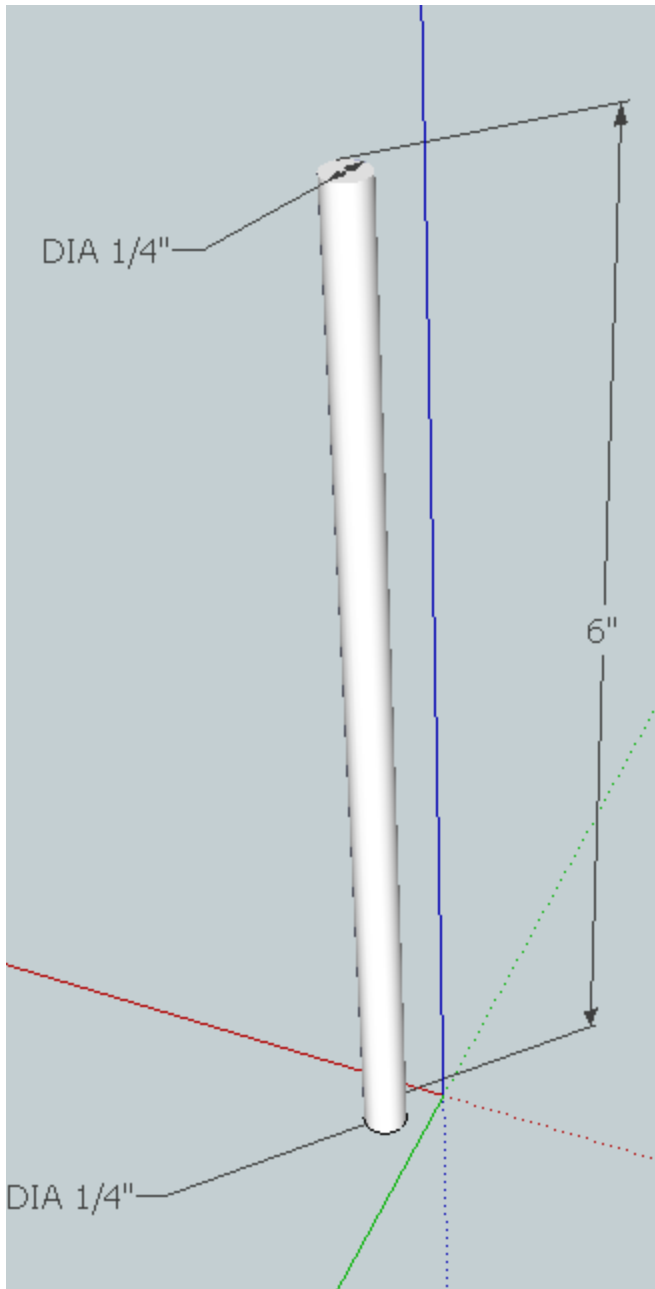
Front



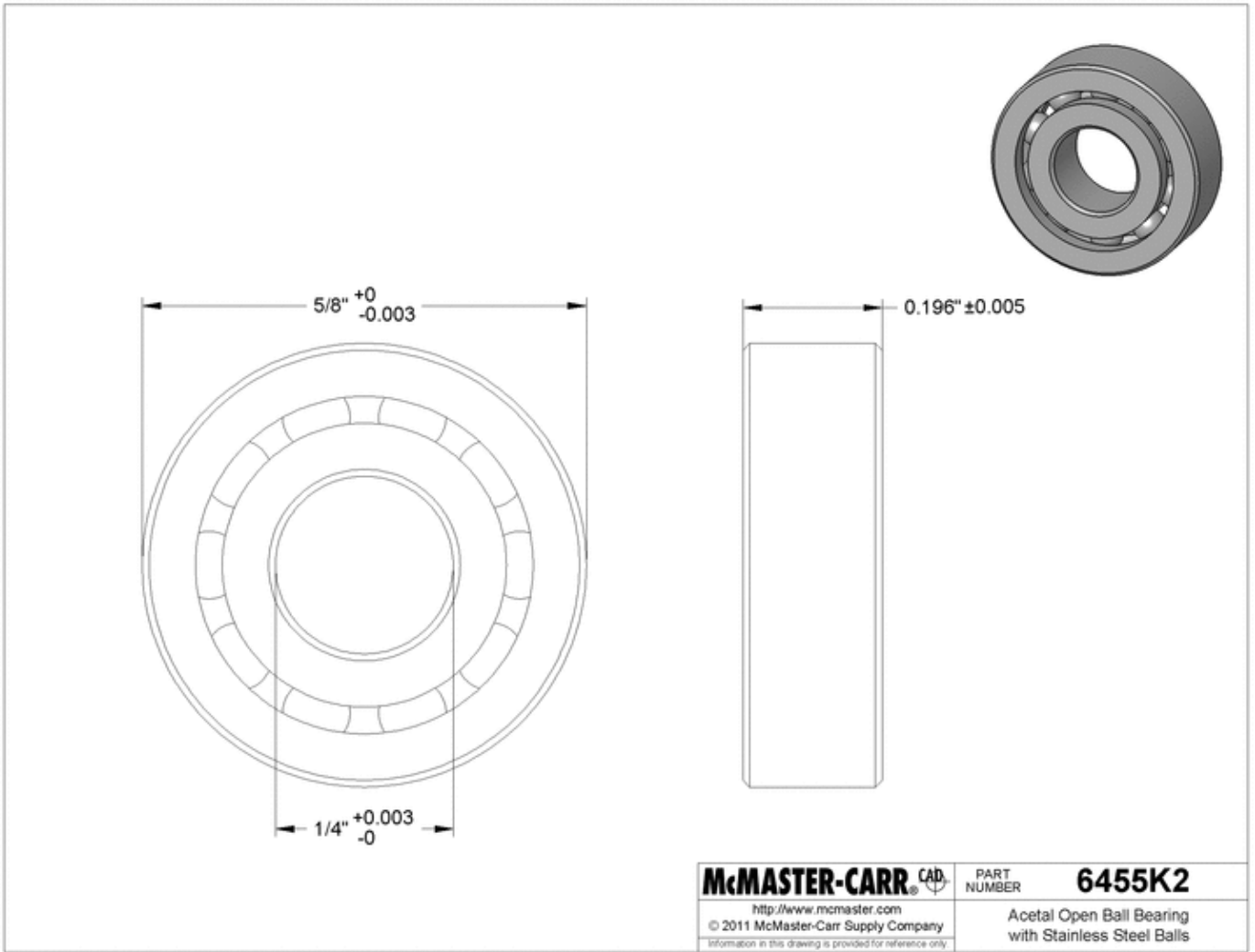
Front/Back Side



Parts Schematics
Precision Shaft



Acetal Bearing

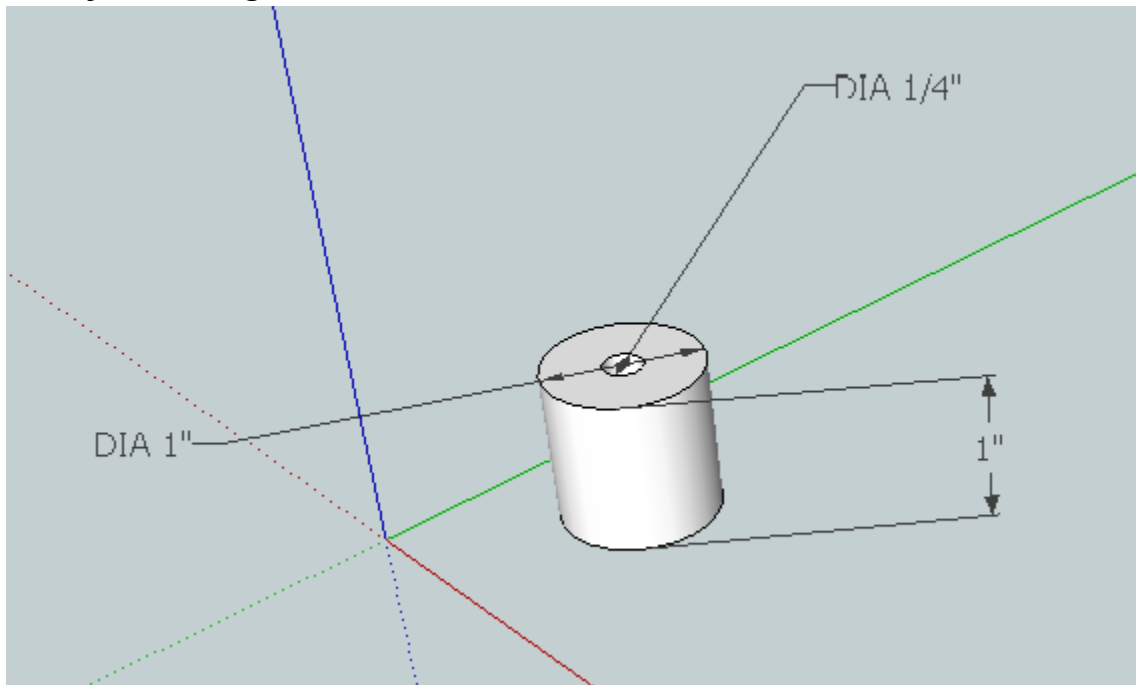


Propeller

- External diameter: 10"
- Pitch: 4.7"
- Mounting hole: 5mm



Neodymium Magnet



Circuit Schematics

LED Lighting Circuit

